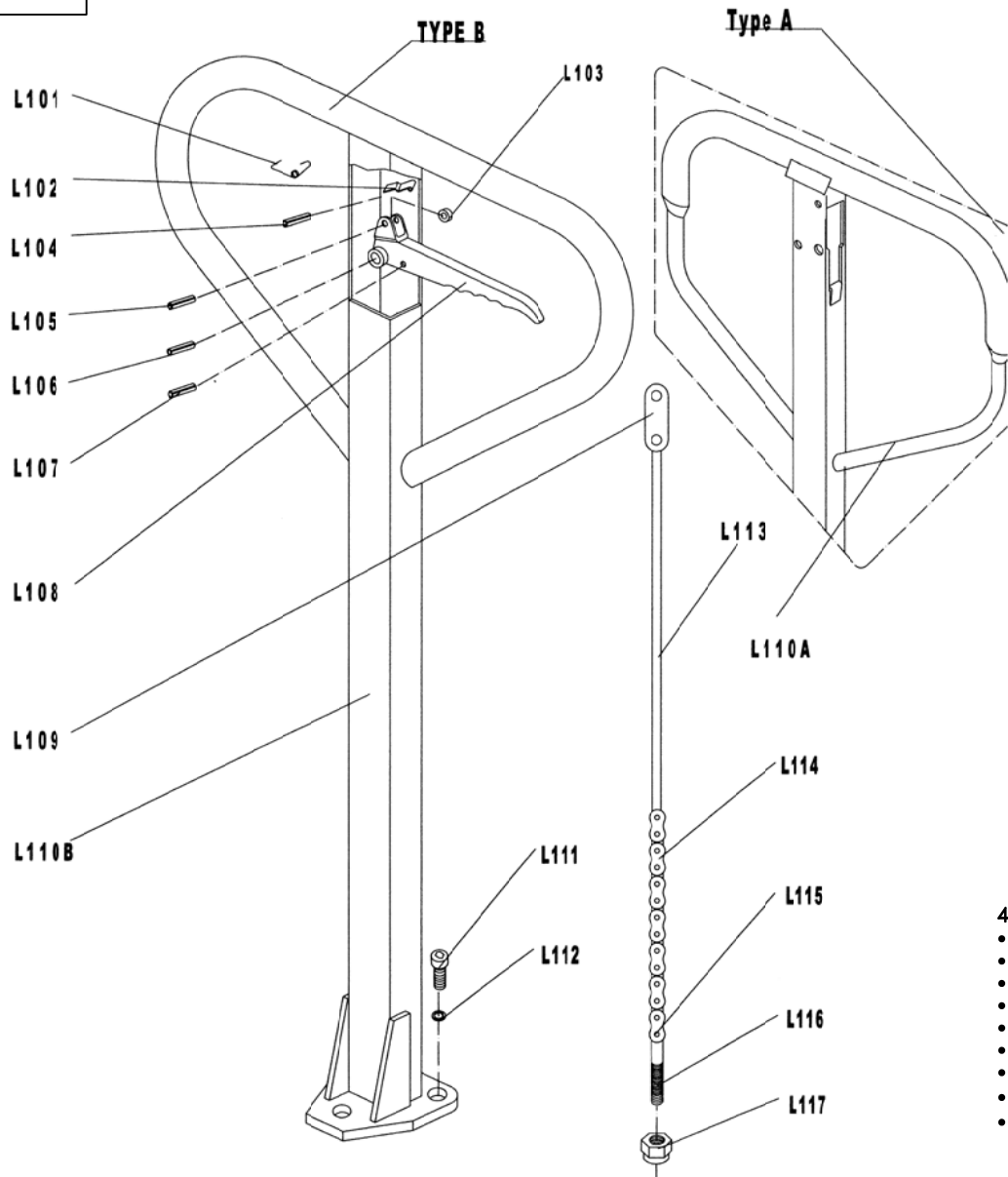


273400



REPLACEMENT PARTS LIST

ITEM	P/N	DESCRIPTION	QTY
L101	274076	SPRING	1
L102	274083	BLADE SPRING	1
L103	274001	ROLLER	1
L104	272453	ELASTIC PIN	1
L105	272042	ELASTIC PIN	1
L106	272043	ELASTIC PIN	1
L107	272322	ELASTIC PIN	1
L108		CONTROL HANDLE	1
L109	274084	PULL BOARD	1
L110A	274075	HANDLE	1
L110B		HANDLE	1
L111		BOLT	3
L112		ELASTIC WASHER	3
L113		PULL ROD	1
L114		CHAIN	1
L115		PIN	1
L116	272456	ADJUSTING BOLT	1
L117	272337	ADJUSTING NUT	1

REPLACEMENT ASSEMBLY LIST

	274495	HANDLE ASSEMBLY (ITEMS L101-L110A & L113-L117)	1
	274079	KIT: BOLT/ELASTIC WASHER (ITEMS L111-L112)	1
	272454	KIT: CHAIN/PIN (ITEMS L114-L115)	1
	272791	KIT: CONTROL HANDLE (ITEMS L103, L105, L108, L109, L113, L114)	1
	274087	KIT: RELEASE ASSEMBLY (L115-117)	1

4-Way Pallet Truck

- 3 year pump warranty.
- Overload bypass.
- Reinforced forks.
- Rubber coated handle.
- 180 degree steering.
- Ability to enter pallet from all 4 sides.
- Adjustable fork connecting rods.
- Steel 1.75" load wheels
- 6" polyurethane steering wheels.

Specs

Capacity:	4,000 lbs
Fork Dimensions:	33" W. x 48" L
Fork Width:	7"
Fork Thickness:	4 mm
Width Between Forks:	19"
Overall Length:	63.5"
Lowered Height:	1.75"
Raised Height:	6"
Handle Height:	47"
Weight	241 lbs

THIS DRAWING IN ALL PARTICULARS IS WESCO INDUSTRIAL PRODUCTS, LLC PROPERTY. ALL RIGHTS OF DESIGN, INVENTION OR USE OF ARE RESERVED.

PRINT ISSUED

JUN. 27, 2019

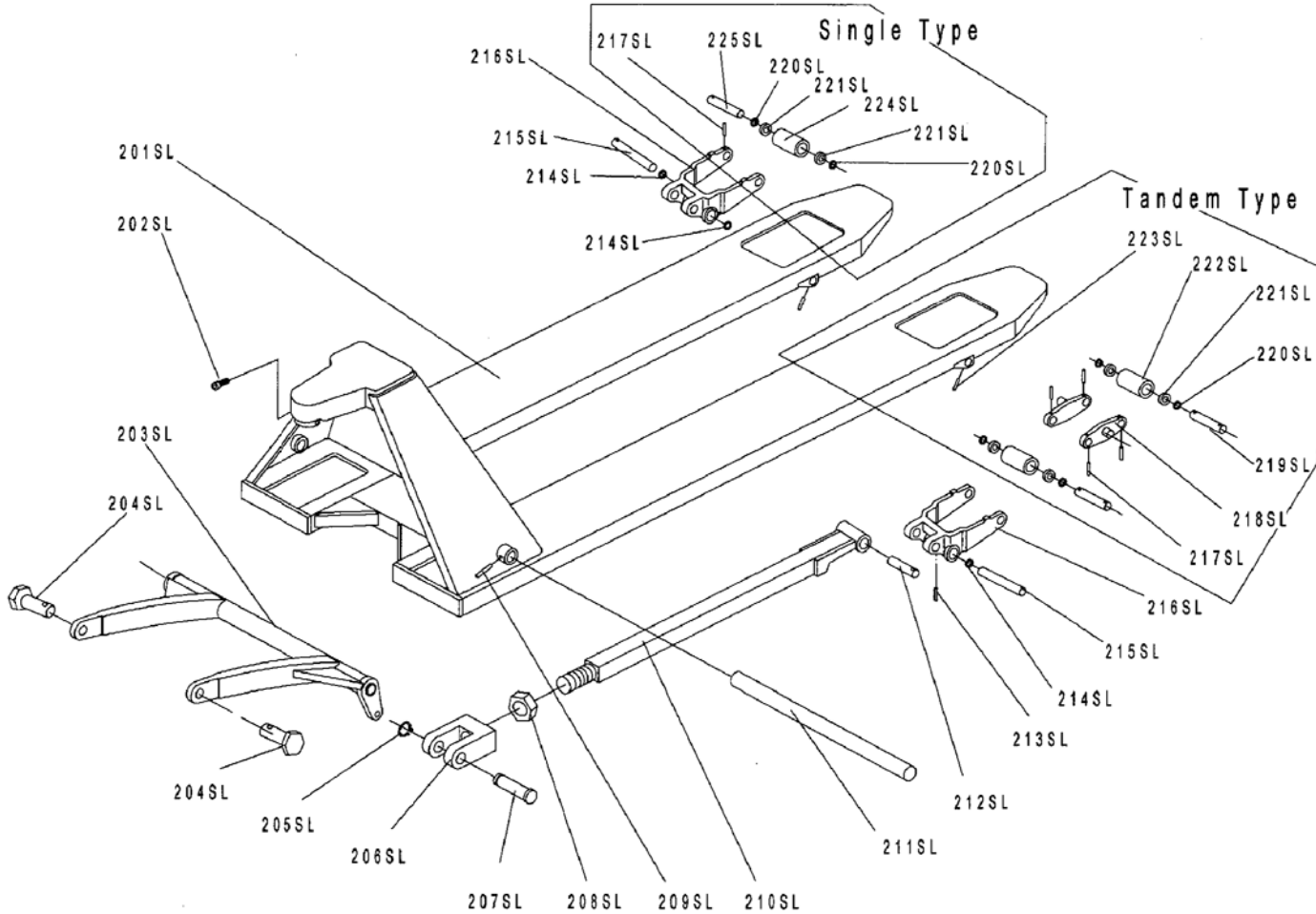
WESCO MANUFACTURING
ENGINEERING DEPARTMENT

APP
ECN & DATE
REV.

REVISIONS

WESCO INDUSTRIAL PRODUCTS, LLC
NORTH WALES PENNA. 19454

PART NAME		DRAWN:	
4-Way Pallet Truck			
TOLERANCE UNLESS OTHERWISE SPECIFIED		CHECKED:	
FRACTION 3 PLACE DECIMAL 2 PLACE DECIMAL		APP. ENGR.	
± 1/64 ± .005 ± .01			
ANGULAR ± 1-1/2' SHEET 1 OF 3		SCALE:	
BREAK ALL SHARP EDGES AND REMOVE ALL BURRS		C-273400	
		REV	



ITEM	P/N	DESCRIPTION	QTY
201SL	272672	FORK FRAME	1
202SL	272673	BOLT	1
203SL	272674	ROCK-ARM	1
204SL	274604	SHAFT	2
205SL	272676	RETAINING RING	2
206SL	272677	JOINT	2
207SL	272678	PIN	2
208SL	272679	NUT	2
209SL	272680	ELASTIC PIN	1
210SL	272681	PUSHING ROD	2
211SL	272682	LONG SHAFT	1
212SL	272683	SHAFT	2
213SL	272684	ELASTIC PIN	2
214SL	272685	WASHER	4
215SL	272686	SHAFT	2
216SL	272687	FRAME OF ROLLER	2
217SL	272688	ELASTIC PIN	2
218SL		LINK PLATE	4
219SL		SHAFT FOR ROLLER	4
220SL	272689	WASHER	4
221SL	274472	BEARING	8
222SL		ROLLER	4
223SL	272691	ELASTIC PIN	4
224SL	274471	ROLLER (STEEL) 1.7" X 3.7"	2
225SL	272693	SHAFT FOR ROLLER	2

THIS DRAWING IN ALL PARTICULARS IS WESCO INDUSTRIAL PRODUCTS, LLC PROPERTY. ALL RIGHTS OF DESIGN, INVENTION OR USE OF ARE RESERVED.

PRINT ISSUED

JUN. 27, 2019

WESCO MANUFACTURING
ENGINEERING DEPARTMENT

WESCO INDUSTRIAL PRODUCTS, LLC
NORTH WALES PENNA. 19454

PART NAME: 4-Way Pallet Truck

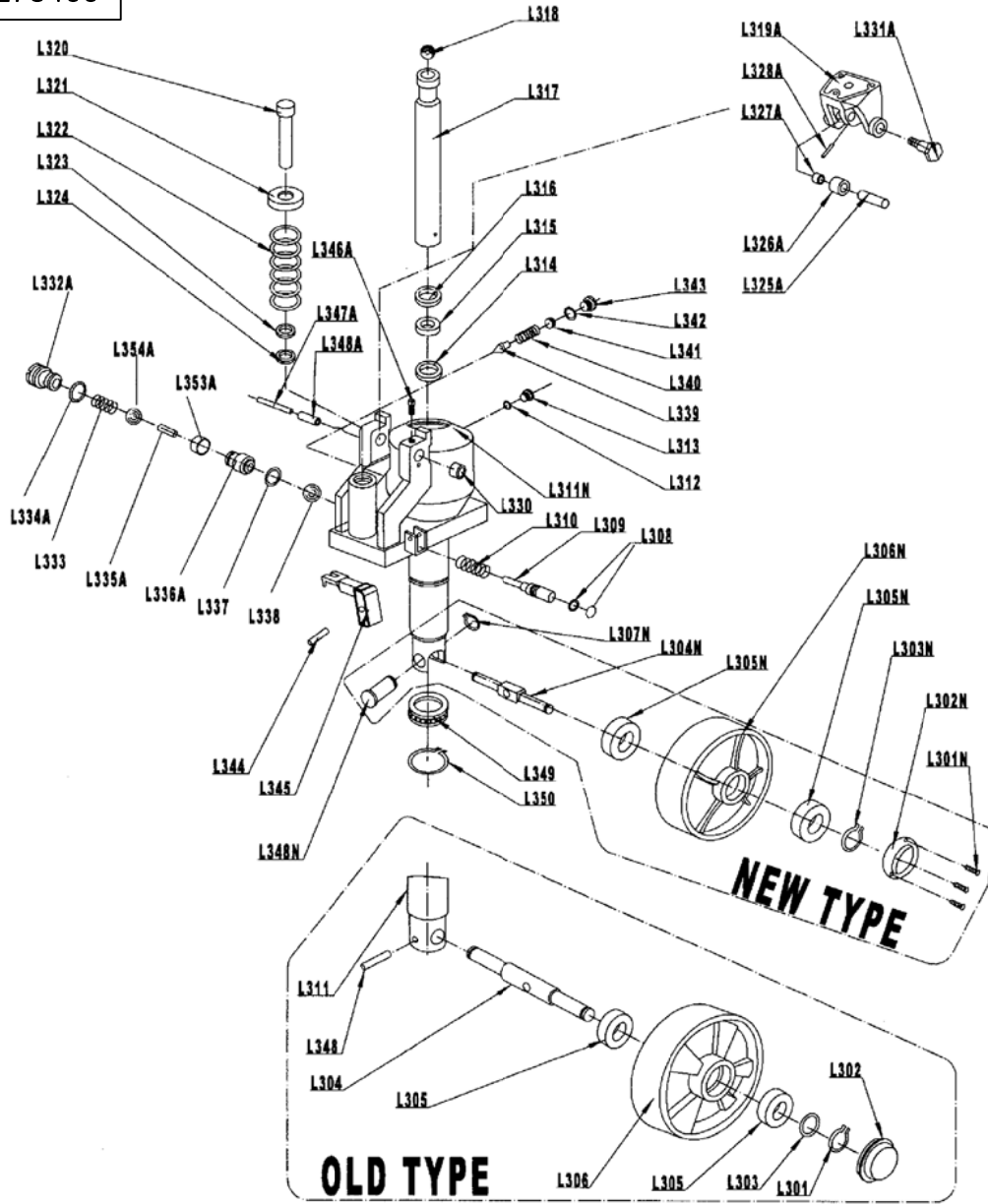
REVISIONS: ECN & DATE, APP

TOLERANCE UNLESS OTHERWISE SPECIFIED

FRACTION	3 PLACE DECIMAL	2 PLACE DECIMAL
± 1/64	± .005	± .01
ANGULAR ± 1-1/2'	SHEET 2 OF 3	

SCALE: C-273400 REV

BREAK ALL SHARP EDGES AND REMOVE ALL BURRS



REPLACEMENT PARTS LIST

ITEM	P/N	DESCRIPTION	QTY
L301	272789	RETAINING RING (FOR AXLE)	2
L302	272793	HUB CAP	2
L303	272794	WASHER	2
L304	272795	SHAFT OF WHEEL	1
L305	272325	BEARING	4
L306	274470	STEERING WHEEL (160 X 50)	2
L311	272779	PUMP BODY	1
L348	273011	ELASTIC PIN	1
L301N		SCREW	6
L302N		HUB CAP	2
L303N		RETAINING RING (FOR AXLE)	2
L304N		SHAFT OF WHEEL	1
L305N		BEARING	4
L306N		STEERING WHEEL	2
L307N		RETAINING RING	1
L311N		PUMP BODY	1
L348N		ELASTIC PIN	1
L308	273013	O-RING	2
L309	273014	RELEASE VALVE	1
L310	273015	SPRING	1
L312	273016	SEAL WASHER	1
L313	273017	BOLT	1
L314	273018	Y-SEAL	1
L315	273019	Y-SEAL	1
L316	273020	WIPER	1
L317	273021	LIFT PISTON ROD	1
L318	273022	STEEL BALL	1
L319A		BRACKET	1
L320	272797	PUMP PISTON	1
L321	272310	CAP	1
L322	272790	SPRING	1

REPLACEMENT PARTS LIST

ITEM	P/N	DESCRIPTION	QTY
L323	272798	WIPER	1
L324	272799	Y-SEAL	1
L325A		AXLE OF ROLLER	1
L326A		PRESSURE ROLLER	1
L327A		BUSHING	1
L328A		ELASTIC PIN	1
L329A		ELASTIC PIN	1
L330	273008	BUSHING	2
L331A	274493	SHOULDER BOLT	2
L332A		PLUG BOLT	1
L333	273006	SPRING	1
L334A		O-RING	1
L335A		VALVE PIN	1
L336A		SEAT OF PUMPING VALVE	1
L337	273007	O-RING	1
L338	273001	STEEL BALL	1
L339	272099	SAFE VALVE PIN	1
L340	273026	SPRING	1
L341	273027	ADJUSTING BOLT	1
L342	272028	O-RING	1
L343	272029	PLUG BOLT	1
L344	273009	ELASTIC PIN	1
L345	273010	LEVER PLATE	1
L346A		SCREW	2
L347A		ELASTIC PIN	1
L348A		ROLLER	1
L349	272100	THRUST BEARING	1
L350	273012	SNAP RING	1
L353A		SLEEVE	1
L354A		STEEL BALL	1

REPLACEMENT ASSEMBLY LIST

274095	COMPLETE REPLACEMENT PUMP	1
274098	SEAL KIT	1

THIS DRAWING IN ALL PARTICULARS IS WESCO INDUSTRIAL PRODUCTS, LLC PROPERTY. ALL RIGHTS OF DESIGN, INVENTION OR USE OF ARE RESERVED.

PRINT ISSUED

JUN. 27, 2019

WESCO MANUFACTURING
ENGINEERING DEPARTMENT

APP	WESCO INDUSTRIAL PRODUCTS, LLC		NORTH WALES PENNA. 19454	
	PART NAME		DRAWN:	
	4-Way Pallet Truck		CHECKED:	
	TOLERANCE UNLESS OTHERWISE SPECIFIED		APP. ENGR.	
	FRACTION		3 PLACE DECIMAL	2 PLACE DECIMAL
± 1/64		± .005	± .01	C-273400
ANGULAR ± 1-1/2'		SHEET	3 OF 3	
REV.	BREAK ALL SHARP EDGES AND REMOVE ALL BURRS			REV